

# S 11000 HEPAmodul

---

Original instructions

Part No 94185-A



**WARNING!** Read the instruction manual before using the machine.

Dustcontrol reserves the right to change specifications without notice and is under no obligation to alter previously delivered products. Dustcontrol is not responsible for errors or omissions in this catalogue.

**Manufactured by:**

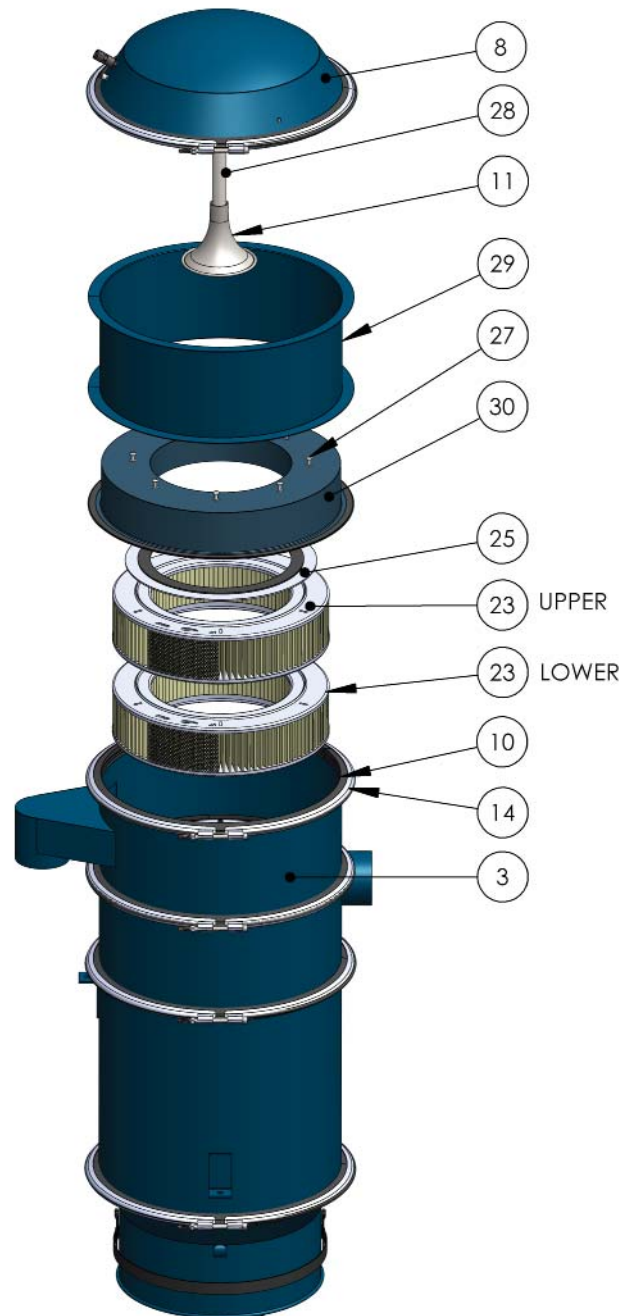
Dustcontrol AB  
Box 3088, Kumla Gårdsväg 14  
SE-145 03 Norsborg  
Tel: + 46 8 531 940 00  
Fax: + 46 8 531 703 05  
support@dustcontrol.se  
www.dustcontrol.com

**Sold by:**

# User manual for S 11000 HEPA-module, Part no 4030

1. Remove the cover/top (8) of the cyclone assembly by releasing the locking ring (14) and removing the gasket (10).
2. Remove the old outlet from the cyclone by releasing the locking ring (14) and removing the gasket (10).
3. Place the new outlet (3) on the cyclone and secure with locking ring (14) and gasket (10).
4. Use joint, part no. 3031, to secure hose (Ø110), part no. 2030, to the outlet connection and to attach the other end of the hose to the inlet of the pump.
5. Unscrew the funnel (11) from the solenoid valve using pipe wrench or multi grip pliers.
6. Screw the tube (28) into the solenoid valve and the funnel (11) onto the tube (28).
7. Place the lower filter (23 Lower) on top of the fine filter in the cyclone.
8. Push the disc (25) followed by the upper filter (23 upper) inside the Insert (30).
9. Place the Insert and Upper filter assembly on top of the outlet (3). Check that the seal on top of the Insert's (30) flange is intact to eliminate the risk of leakage.
10. Secure the Module ring (29) to the Outlet (3) with a gasket (10) and locking ring (14). (The insert's (30) flange will be fixed between the two parts.)
11. Tighten the eight MRT 6x50 screws (27). This ensures a firm seal between the two filters (23).
12. Check, through the top of the module ring (29), that the filters (23) are in place and firmly secured.
13. Use thread sealant Loctite 542 or similar for the eight MRT 6x50 screws (27).
14. Place the top/cover (8) on the Module ring (29) and secure the assembly with a gasket (10) and locking ring (14).

Q<sub>max</sub> = 1000m<sup>3</sup>/h  
Δp<sub>max</sub> = 40kPa



# DUSTCONTROL WORLDWIDE

## Dustcontrol AB

Box 3088  
Kumla Gårdsväg 14  
SE-145 03 Norsborg  
Tel: +46 8 531 940 00  
Fax: +46 8 531 703 05  
support@dustcontrol.se  
www.dustcontrol.com

## AT

**Dustcontrol Ges.m.b.H.**  
Gradnerstrasse 120-124  
AT-8054 Graz  
Tel: +43 316 428 081  
info@dustcontrol.at  
www.dustcontrol.at

## AU

**Archquip - All Preparation Equipment**  
130 Lytton Rd  
AU-4171 Bulimba QLD  
Tel: +61 7 3217 9877  
www.allpreparationequipment.com.au

## BENELUX

**Dustsolutions B.V.**  
Eiffelstraat 44  
NL-8013 RT Zwolle  
Tel: +31(0)38-2020154  
sales@dustsolutions.nl  
www.dustsolutions.nl

## BG

**Metaltech14 Ltd**  
7 Parva str  
BG-4207 Kadievo  
Tel: +359 888 255 102,  
+359 889 999 593  
metaltex14@abv.bg  
www.dustcontrolbg.com

## CA

**Dustcontrol Canada Inc.**  
664 Welham Road  
CA-Barrie, Ontario L4N 9A1  
Tel: +1 877 844 8784  
info@dustcontrol.ca  
www.dustcontrol.ca

## CH

**Rosset Technik  
Maschinen Werkzeuge AG**  
Ebersmoos  
CH-6204 Sempach-Stadt  
Tel: +41 41 462 50 70  
info@rosset-technik.ch  
www.rosset-technik.ch

## CN

**Suzhou DustCollect Filtration Technology Co., Ltd.**  
Room 218, Building B, No.1368,  
Wuzhong Avenue/ District  
CN-Suzhou City,  
Jiangsu Province  
Tel: +86 180 6800 0359  
sale@dustcollect.cn  
www.dustcollect.cn

## DE

**Dustcontrol GmbH**  
Siedlerstraße 2  
DE-71126 Gäufelden-  
Nebringen  
Tel: +49 70 32-97 56 0  
info@dustcontrol.de  
www.dustcontrol.de

## DK

**Erenfred Pedersen A/S  
- Construction**  
Rebslagervej 7  
DK-9000 Aalborg  
Tel +45 98 13 77 22  
info@ep.dk  
www.ep.dk

## Dansk Procesventilation ApS - Industry

Vangeleddet 73  
DK-2670 Greve  
Tel: +45 61 270 870  
info@dansk-procesventilation.dk  
www.dansk-procesventilation.dk

## EE

**G-Color Baltic OÜ**  
Ülase 13  
EE-10613 Tallinn  
Tel: +372 682 5919  
sales@g-color.ee  
www.g-color.ee

## ES

**Barin, s.a.**  
C/ Cañamarejo, Nº 1  
Poligono Industrial  
Rio de Janeiro  
ES-28110 Algete - Madrid  
Tel: +34 91 6281428  
info@barin.es  
www.barin.es

## FI

**Dustcontrol FIN OY**  
Valuraudankuja 6  
FI-00700 Helsinki  
Tel: +358 9-682 4330  
dc@dustcontrol.fi  
www.dustcontrol.fi

## FR

**SMH Equipements-Construction**  
Lieu Dit « La Fontaine »  
FR-28630 Berchères Les Pierres  
Tel: +33 (0)2 37 26 00 25  
info@abequipements.com  
www.smhequipements.com

## Dustcontrol AB France- Industry

Box 3088  
Kumla Gårdsväg 14  
SE-145 03 Norsborg  
Tel: +46 8 53194016  
hk@dustcontrol.se  
www.dustcontrol.com

## HU

**Vandras Kft**  
Kossuth L. u. 65 III.29  
HU-1211 Budapest  
Tel: +36-1-427-0322  
Mobile: +36-20-9310-349  
vandras@t-online.hu  
www.vandras.hu

## IN

**Advance Ventilation Private Ltd.**  
610.P.P.Towers  
C-1.2.3 Netaji Subhash Place  
IN-Pitampura, New Delhi-110 034  
Tel: +91 11 273 557 95  
sales@advanceventilation.com  
www.advanceventilation.com

## IR

**BioMedoc International Group**  
Rutherford House, Pencroft way,  
Manchester Science Park,  
UK - Manchester, M15 6SZ  
Tel: +44 161 820 8441  
info@biomedoc.com  
www.biomedoc.com

## IT

**Airum srl**  
via Maestri del Lavoro 18  
Roveri-2  
IT - 40138 Bologna  
Tel: +39 (0)516 025 072  
info@airum.com  
www.airum.com

## KR

**E. S. H Engineering Co.**  
671-267 Sungsu1ga 1dong  
Sungdonggu (P.O)133-112  
KR-Seoul Korea  
Tel: +82 (0)2 466 7966  
k.u.lee@hanmail.net  
www.esheng.co.kr

## LT

**UAB Hidromega**  
Mainų g. 23  
LT - 94101 Klaipėda  
Tel: +370 677 10254  
info@hidromega.lt  
www.hidromega.lt

## LV

**SIA Reaktivs**  
Rīgas iela 113,  
Salapils, LV-2169  
Tel: +371 20282200  
reaktivs@reaktivs.lv  
www.reaktivs.lv

## MY, ID

**Blöndal Städa (M) Sdn. Bhd.**  
Blöndal Building, Jalan Penyair,  
Section U1, Off jalan Glenmarie,  
MY-40150 Shah Alam  
Tel: +60 603 5569 1006  
info@stada.com.my  
www.stada.com.my

## NO

**Teijo Norge A.S**  
Husebysletta 21  
Postboks 561  
NO-3412 Lierstranda  
Tel: +47 3222 6565  
firmapost@teijo.no  
www.teijo.no

## PE

**Efixo**  
Calle 3 MZ. N LT. 15  
Parque Industrial El Asesor  
Ate, Lima, PE – Perú  
Tel: (0051) 583-8541  
Cel: (0051) 968-140-066  
contacto@efixo.pe  
http://www.efixo.pe

## PL

**Bart Sp. z. o.o.**  
ul. Będzińska 41/1  
PL-41-205 Sosnowiec  
Tel: +48 32 256 22 33  
info@bart-vent.pl  
www.bart-vent.pl

## PT

**Metec-Mecano Técnica, Lda.**  
Lugar da Cova da Raposa Sete  
Casas  
PT-2670-570 Loures  
Tel: +351 21 797 02 91  
geral@metec.pt  
www.metec.pt

## RU

**SovPlym Ltd**  
Revolution Highway, 102-2  
RU-195279, St Petersburg  
Tel: +7-812-33-500-33  
mau@sovplym.spb.ru  
www.sovplym.com

## SG

**Blondal (S) Pte Ltd**  
52 Ubi Ave 3  
Frontier Building  
#03-29  
SG-Singapore 408867  
Tel: +65 6741 7277  
Info@stada.com.my  
www.stada.com.my

## TR

**Ventek Mühendislik Ltd**  
Adnan Kahveci Bulvari  
Ünverdi İş merkezi Nr 73  
Dr: 30 Bahçelievler  
TR-Istanbul  
Tel: +90 212 4415596-97  
info@ventek.com.tr  
www.ventek.com.tr

## UAE

**Global Enterprises Trading Co  
L.L.C.**  
P O Box 27914  
Mussafah No. M9, Plot 50  
AE-Abu Dhabi  
Tel: +971-2-555 4733  
sales@globalentco.com  
www.globalentco.com

## UK

**Dustcontrol UK Ltd.**  
7 Beaufort Court,  
Roebuck Way, Knowlhill  
Milton Keynes MK5 8HL  
England - GB  
Tel: +44 1327 858001  
sales@dustcontrol.co.uk  
www.dustcontrol.co.uk

## US

**Dustcontrol Inc.**  
6720 Amsterdam Way  
US-Wilmington NC 28405  
Tel: +1 910-395-1808  
info@dustcontrolusa.com  
www.dustcontrol.us

www.dustcontrol.com