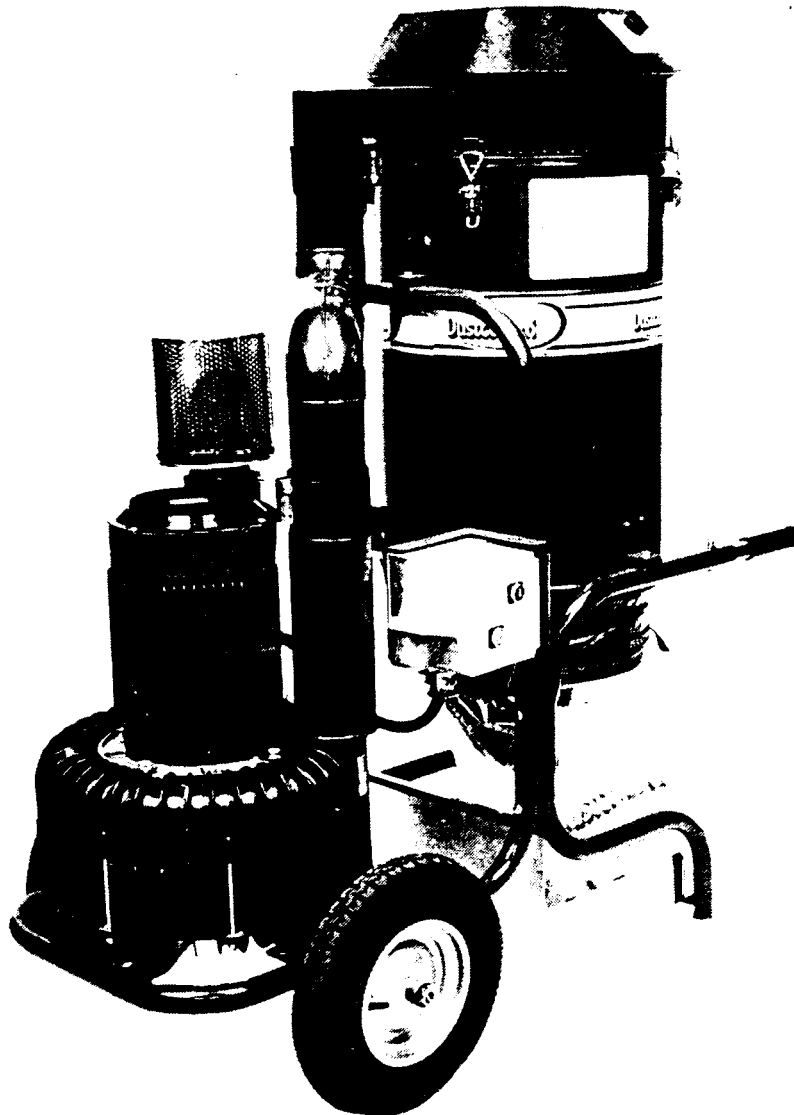


Dustcontrol

DC 5500 9.2 kW S



**INSTRUKTION
USER INSTRUCTION
BETRIEBSANLEITUNG**

DC 5500 9,2kW S USER INSTRUCTION

Manufactured by
Dustcontrol Sweden

Sold by:

TECHNICAL DATA

ACCESSORIES

OPERATION

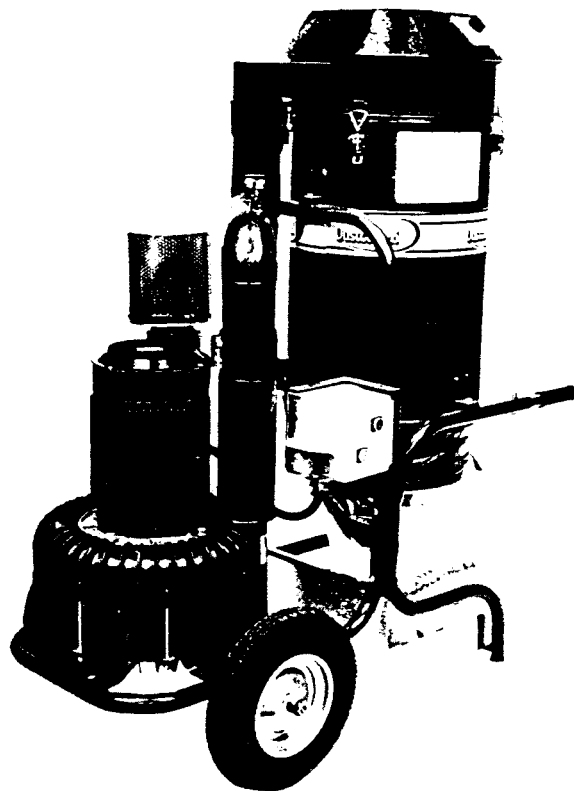
SERVICE

SAFETY CONSIDERATIONS

TROUBLE SHOOTING

WARRANTY

SPARE PARTS



The DC 5500 9,2kW S is driven by a two stage serial connected turbo pump with extremely high vacuum effect. The machine is intended for use on material transportation systems or for cleaning of abnormally heavy material. With these types of systems it is recommended to use a preseparator.

The high vacuum effect can also be used in conventional systems where extra long hose or pipe systems are required. Filter cleaning is done with reverse pulse which gives excellent filter economy.

Dustcontrol reserves the right to change specifications without notice and is under no obligation to alter previously delivered products. Dustcontrol is not responsible for errors or omissions in this catalogue.

94BL

TECHNICAL DATA

HxWxL	1490x760x1150 mm
Weight	175 kg
Inlet	Ø 76 mm
Hose length	5-50 m
Flow at open inlet	500 m ³ /h
Power consumption	9.2 kW
Filter area, fine filter	5 m ²
Degree of separation, fine filter (DIN 24184/3)	99.89 %
Filter area, micro filter	2.5 m ²
Degree of separation, microfilter (DOP)	>99.97 %
Collecting sack	50 liters
Sound level	<75 dB(A)

ACCESSORIES

DESCRIPTION	PART NO
Plastic sacks, standard	4614
Fine filter (3pcs/cyclone)	408801
Microfilter	4422

OPERATION

Connect the machine to a suitable power source according to the specification plate on the machine. If the electrical cord on the machine becomes damaged it should be replaced.

The filter should be cleaned 1-2 times per day with continuous running or if the machine is equipped with a filter monitor, when this is in the red area.

For filter cleaning:

1. Start the machine.
2. Close the shutter valve on the machines inlet.
3. Rotate the knob on the top of the machine to pulse to activate the cleaning mechanism.
4. Let the machine pulse for two minutes.
5. Open the shutter valve.
6. If the filter condition meter reads green work can continue, if in the red, pulse clean again. If after several repetitions, the filter condition still shows red the fine filter 408801 must be changed.

The plastic sack should be changed only after the filter has been cleaned. The sack should be changed when the dust level is about 5 cm under the foot valve. The plastic sack should be sealed after removal from the machine.

Use only original plastic sacks.

SERVICE

With cleaning and maintenance on the machine, the power cable should be disconnected from the supply.

The fine filter 408801 should be changed at least once per year. Use only original spare parts. If the machine is used with a microfilter/HEPA filter, this should be changed every 300 running hours, article number 4422. Use breathing protection when changing the filter. Used filters should be sealed in a plastic sack and disposed of properly.

Check regularly that the electrical cable is not damaged.

The DC 5500 should be performance tested at least once per year because it may be used with hazardous materials. Worn parts must be replaced.

Never compromise the function of the DC 5500, use only original spare parts.

The turbopump is maintenance free.

SAFETY CONSIDERATIONS

- Never let the suction come into contact with parts of the body. Because the machine generates a high negative pressure, severe injury may result.
- Do not repair the electrical components yourself, get somebody qualified. Faults may cause injury.
- Check the electrical cable regularly for faults.
- Always follow the regulations pertinent to the material that you are working with ie: asbestos.

TROUBLE SHOOTING

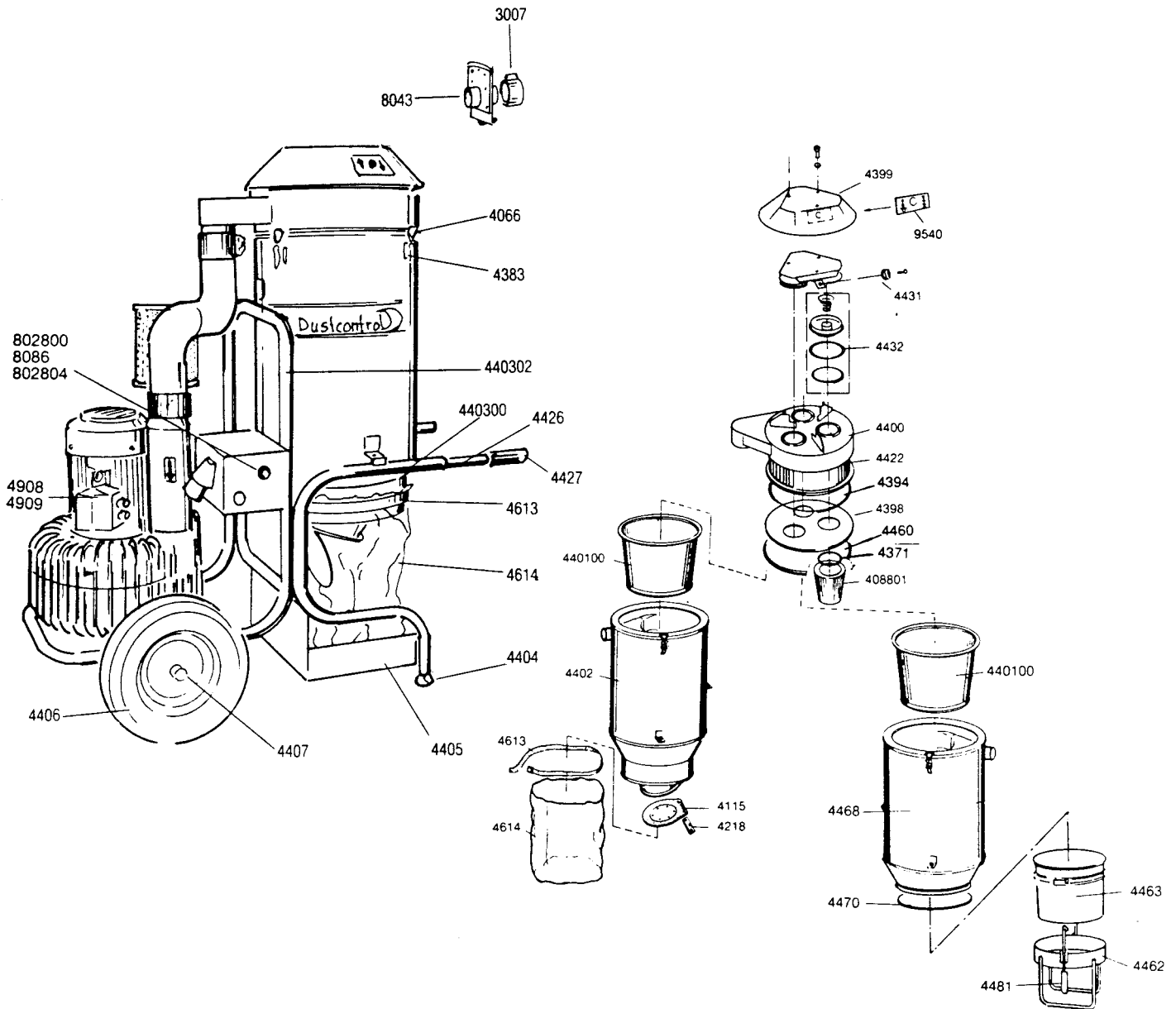
PROBLEM	FAULT	SOLUTION
* Motor will not start.	* Machine not connected. * Thermal overload tripped.	* Make sure connection. * Wait 5 minutes.
* The motor stops directly after starting.	* Incorrect fuse. * Thermal overload not set correctly.	* Change to correct circuit. * Electrician should adjust.
* Pump runs but no suction.	* Hose not connected. * Hose plugged. * No plastic sack on the cyclone. * Pump rotation backwards.	* Connect the hose. * Find and remove block. * Mount the correct sack. * Electrician should change phases.
* Pump runs but poor suction.	* Hole in the hose. * Plugged filter. * Hose too long or too small. * Hose is kinked. * Machine top is mounted incorrectly. * Dust is packed in the cyclone.	* Change or repair hose. * Clean or change filter. * Change the hose. * Check and free. * Adjust the mounting. * Take off the top and clean out.
* Machine blows dust.	* Filter is perforated or has come loose.	* Check the filter and change if necessary.
* Abnormal sound from machine.	* Foreign matter in the pump.	* Order service.

WARRANTY

The warranty period for this machine is two years and covers manufacturers faults. The warranty is valid under the condition that the machine is used under normal conditions on the task for which it was designed and is maintained properly. Normal wear is not covered by this warranty.

Service performed by other than Dustcontrol or its authorized agent voids automatically the warranty. No other warranty express or implied is applicable.

SPARE PARTS DC 5500 9.2kW S



Part no Description

3007	Joint 76
4066	Hoop
4088	Fine filter
4115	Cyclone rubber foot valve
4218	Plate
4371	Gasket
4374	Hose nipple
4383	Holder
4394	Gasket
4398	Filter holder
4399	Cover
4400	Top
440100	Guide cone
4402	Cyclone
440300	Chassis, cyclone
440302	Chassis, pump
4404	Rubber foot
4405	Plastic bag holder
4406	Pneumatic wheel
4407	Axle

Part no Description

4422	Microfilter
4426	Handle
4427	Plastic handle
4431	Knob
4432	Pulse valve
4460	Basket
4462	Basket
4463	Container
4468	Cycloone
4470	Gasket
4481	Holder
4613	Strap
4614	Plastic sacks, standard
4908	Turbopump, 9.2 kW
4909	Turbopump 9.2 kW
802800	Starter 9.2 kW 380V
802804	Starter 9.2 kW 500V

Part no Description

8043	Shutter Ø 76 mm
8086	Starter 9.2 kW 380V
8180	Ball valve
9540	Maintenance instr.